

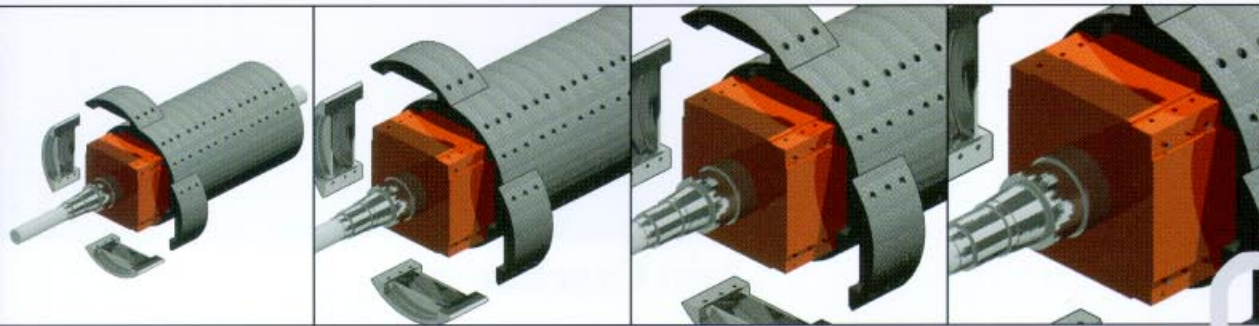


## Chip Cracker



**ACROWOOD**

*Excellence in Chip Processing*



# CHI

## *Gentle and consistent cracking*

The Acrowood Chip Cracker is a superior machine for gently cracking chips without fissuring fibers.

Its unique rolls gently crack each chip, without fracturing or puncturing them. The diamond tips of one roll gently mesh with the valleys of the other, ensuring each wood chip is properly cracked regardless of how it enters the nip.

The roll segments are made of hardened stainless steel to resist corrosion and abrasive wear for maximum service life. The rolls consist of a 24" square central shaft and four, 12" wide roll covering segments. Wide, raised key sections are machined into the square shaft body to prevent the segments from moving, and eliminating bolt stress. The textured knurl pattern is machined into the stainless steel segments.

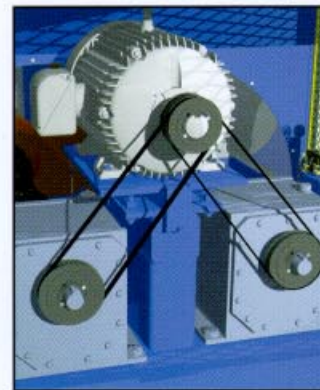
The Acrowood Chip Cracker's patented design allows for immediate response to the individual characteristics of a mill's chips. The weight of the rolls alone contributes to the cracking process. Since nip pressure and spacing are easily adjustable, control of the cracking process minimizes chip damage when raw materials vary. Nip spacing and pressure are unique for each species and cracking objective.

A single motor drives two foot-mounted gear reducers. A high-strength,

universal joint driveline connects each reducer to a cracking roll, allowing the rolls to retract during start-up and when incompressible pieces pass between them. The patented swing arms allow the rolls to independently react to hard pieces, halving response time and limiting roll surface damage. The heavy arms are designed to allow simple maintenance access to bearings and roll segments.

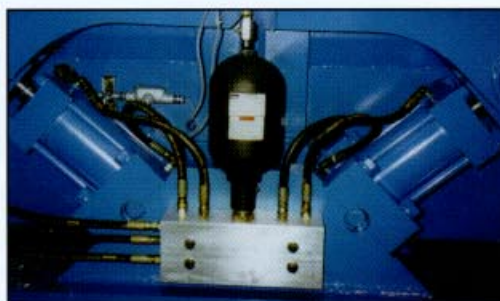
Because the hydraulics are integral with the drive frame, no separate hydraulic island is required. And the belt drive is engineered for quiet performance.

Long-life, easy maintenance, and superior chip quality are all to be found with the Acrowood Chip Cracker.



*Foot-mounted reducers simplify maintenance access to rolls and drive components*

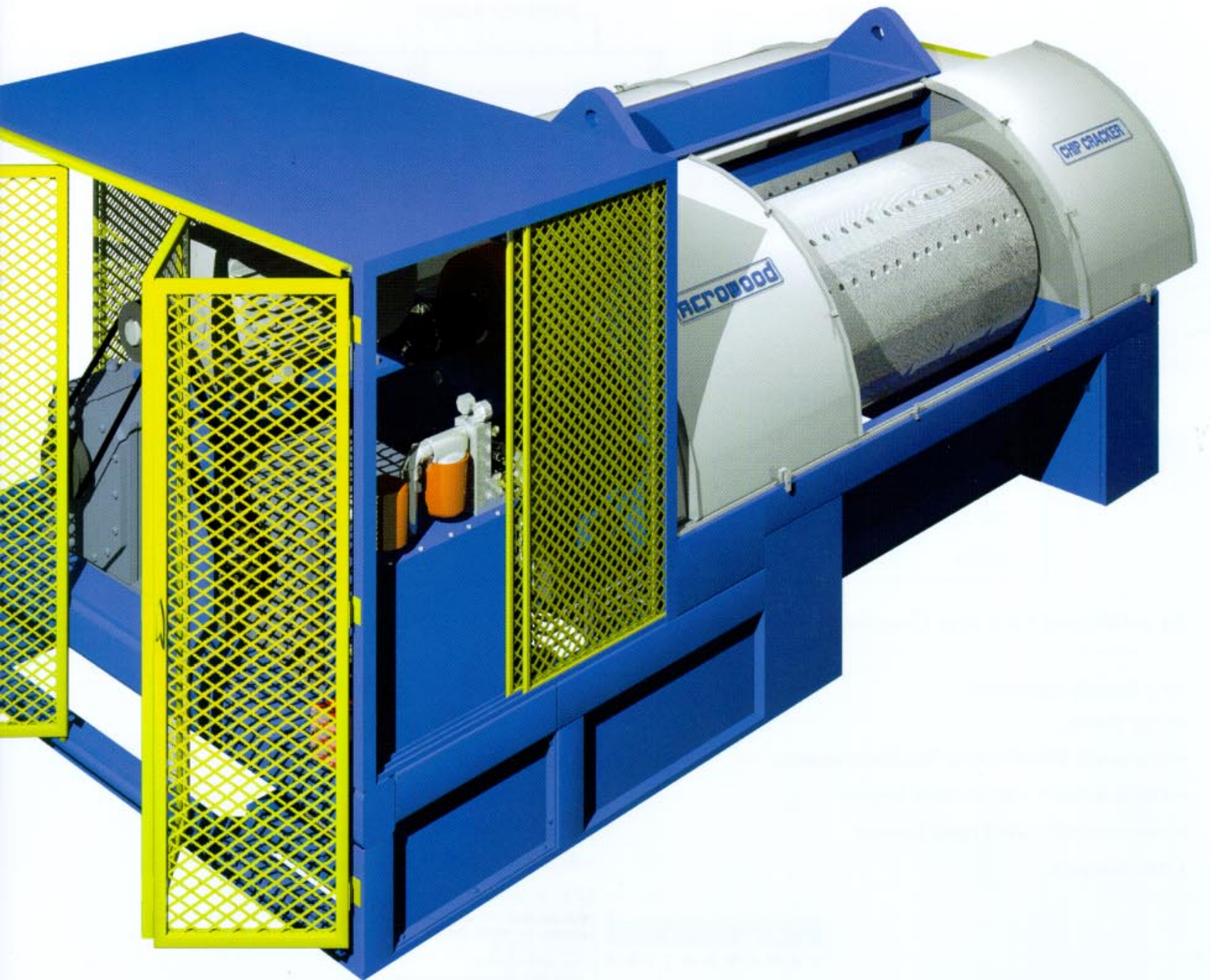
- Roll shaft segments easily accessible
- Easy roll removal and bearing replacement
- Roll shaft assemblies accessible through side frame
- Long-life stainless steel segments on a square shaft
- Minimal hydraulic requirements
- Textured and pivoting rolls for gentle cracking
- Quiet belt drive



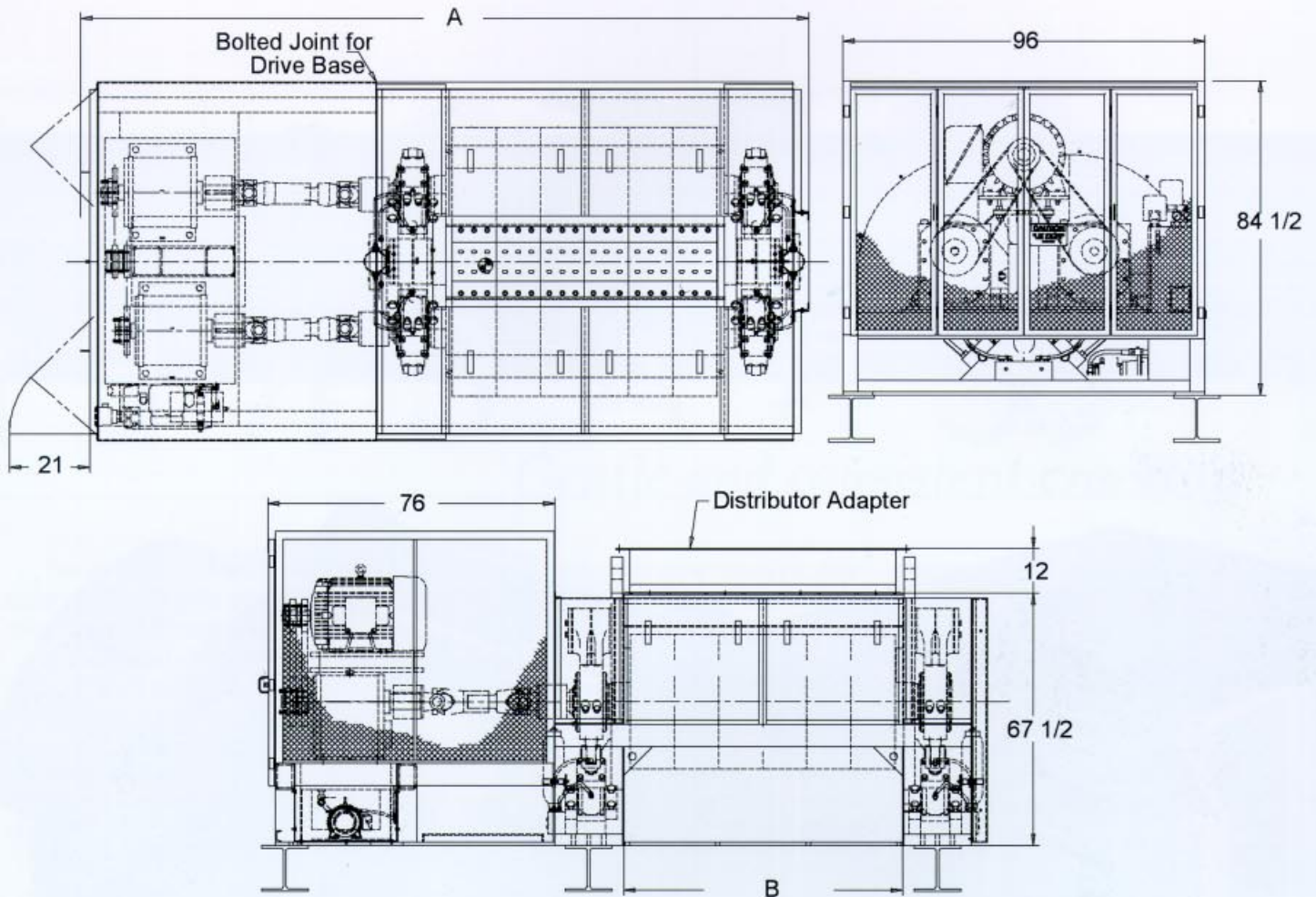
*Final compression pressure is accomplished with large diameter cylinders, and an accumulator with pressure sensors.*



# P C R A C K E R



# Specifications: Chip Cracker



Model #	Dimensions		Drive HP	Approx. Weight	Capacity	
	A	B			UPH	M <sup>3</sup> /hr
3648i	169"	50"	75	37,500 lb.	20	110
3672i	193"	74"	100	45,000 lb.	30	170
3696i	216"	97"	150	52,600 lb.	40	225

## *In addition to Chip Crackers, Acrowood Offers:*

- Air Density Separators
- Chip Slicers
- DiamondRoll™ VIRO Chip Thickness Screens
- DiamondRoll™ VIRO Particle Screens
- DiamondRoll™ VIRO Fines Screens
- Disc Scalpers
- Dual Drive Suspended Screens
- Raised-Roll Disc Thickness Screens
- Rechippers
- Slant Disc Chippers
- Whole Log Chippers
- Drywood II Moisture Measurement Systems

**ACROWOOD**  
CORPORATION  
*Excellence in Chip Processing*

P.O. Box 1028  
Everett, WA 98206-1028 USA

Phone: (425) 258 - 3555  
Fax: (425) 252-7622  
Web Site: [www.acrowood.com](http://www.acrowood.com)  
E-mail: [sales@acrowood.com](mailto:sales@acrowood.com)